

Mounting configurations for 40° to 160° face angles

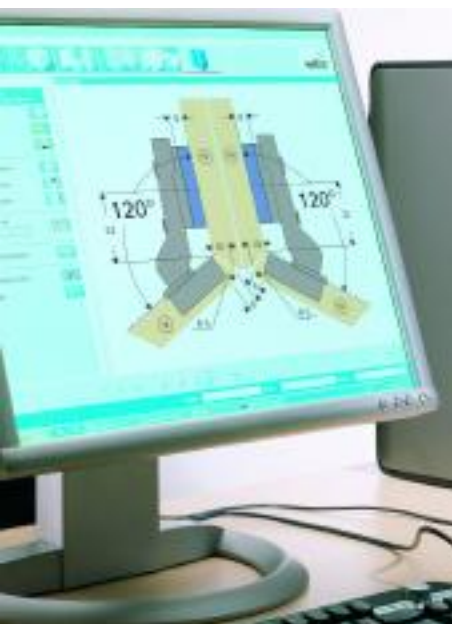


The following pages list 60 mounting configurations for cabinet face angles from 40° to 160° with different door and side designs.

These door situations can be achieved with the Intermat hinge range, in particular the W hinge versions, using the appropriate mounting plates, angle and parallel adapters and stackable angle mounting plates.

All mounting configurations feature the T42 cup version. All hinges can also be mounted using other cup versions (T43, TB43, Flash, TFIX, THFIX or TBFIX).

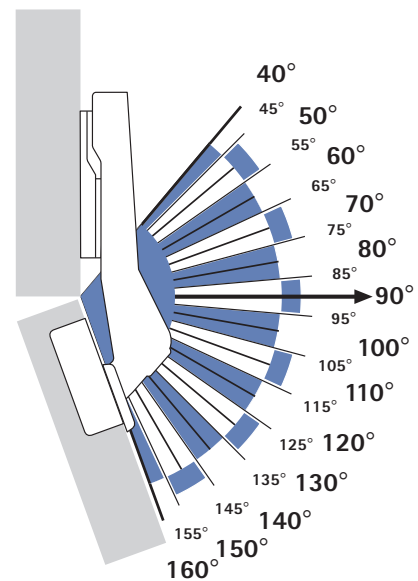
A trial mounting is always recommended for mounting configurations of this type !



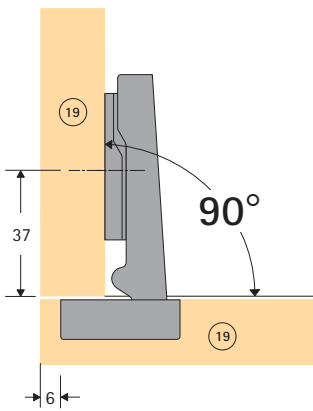
... 60 mounting configurations for various face angles from 40° - 160°, door and side options with detailed parts list provide practical working and constructional aids for the fabricator.

All drawings are also available for downloading from the Internet.

For all other details, go to:
www.hettich.com



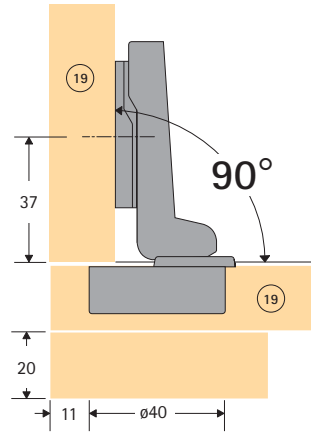
Mounting configurations Intermat



Intermat 9943

Cranking 0 mm
Mounting plate distance 0 mm

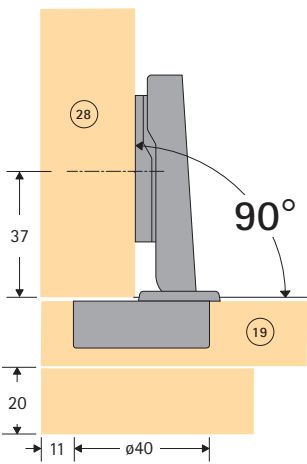
Order no. 0048 049
Order no. 0072 983



Intermat 9935

Cranking 5 mm
Mounting plate distance 0 mm

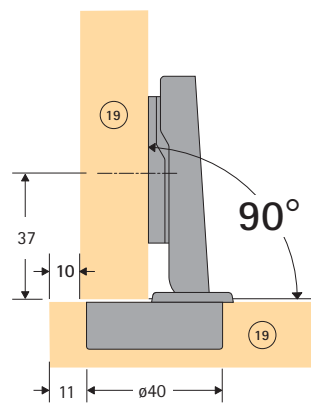
Order no. 0073 926
Order no. 0072 983



Intermat 9935

Cranking -5 mm
Mounting plate distance 0 mm

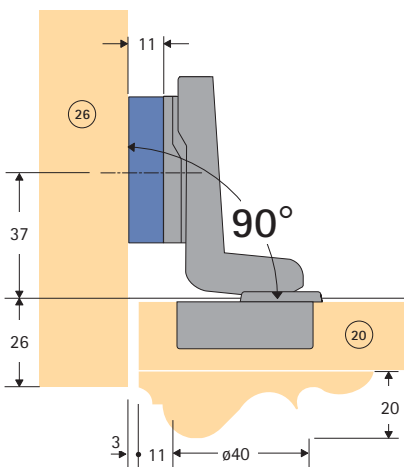
Order no. 0073 925
Order no. 0072 983



Intermat 9935

Cranking -5 mm
Mounting plate distance 0 mm

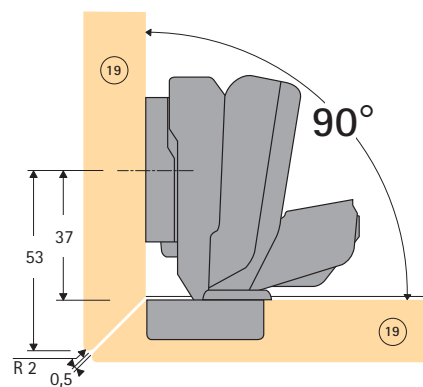
Order no. 0073 925
Order no. 0072 983



Intermat 9935

Cranking 16 mm
Mounting plate distance 11 mm

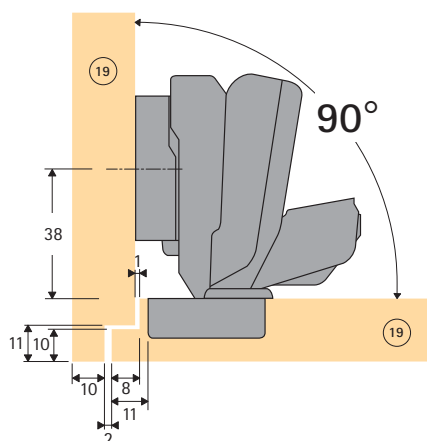
Order no. 0073 927
Order no. 0077 946



Intermat 9956

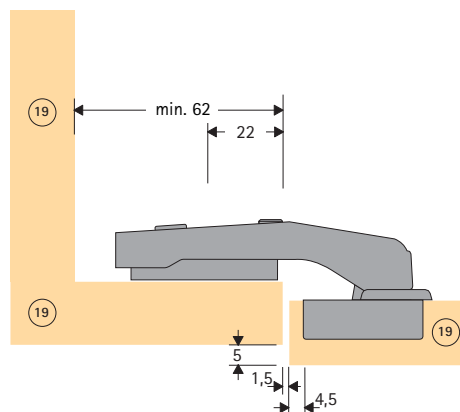
Cranking 9,5 mm
Mounting plate distance 3 mm
Opening angle limited to 130°
with adjusting screw M5 x 14 mm

Order no. 0072 961
Order no. 0072 985
Order no. 0079 791



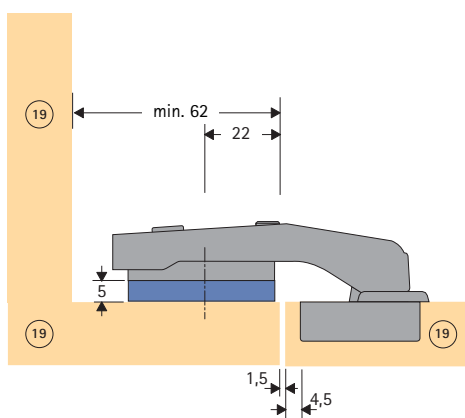
Intermat 9956

Cranking 9,5 mm **Order no. 0072 961**
 Mounting plate distance 3 mm **Order no. 0072 986**
 Opening angle limited to 130°
 with adjusting screw M5 x 14 mm **Order no. 0079 791**



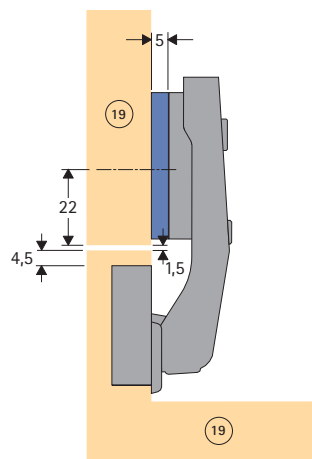
Intermat 9936 W90

Cranking 5 mm **Order no. 0077 708**
 Mounting plate distance 0 mm **Order no. 0072 983**



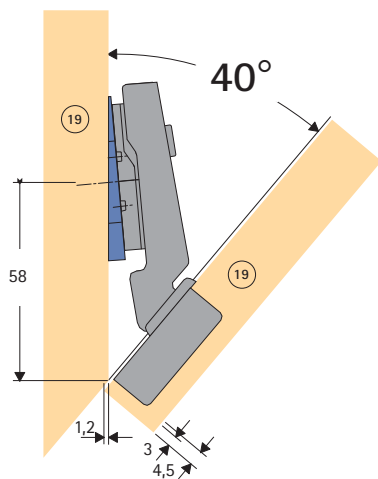
Intermat 9936 W90

Cranking 5 mm **Order no. 0077 708**
 Mounting plate distance 5 mm **Order no. 0072 986**



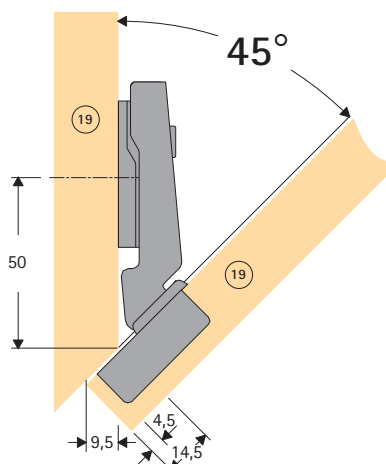
Intermat 9936 W90

Cranking 5 mm **Order no. 0077 708**
 Mounting plate distance 5 mm **Order no. 0072 986**



Intermat 9944 W-45

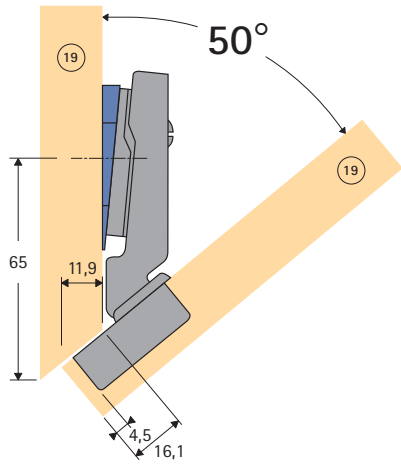
Cranking 10 mm **Order no. 0077 643**
 Mounting plate distance 0 mm **Order no. 0072 983**
 Angle plate 5° **Order no. 0079 349**



Intermat 9944 W-45

Cranking 10 mm **Order no. 0077 643**
 Mounting plate distance 0 mm **Order no. 0072 983**

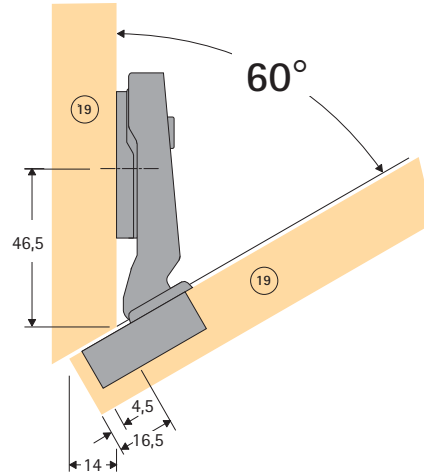
Mounting configurations Intermat



Intermat 9944 W-45

Cranking 10 mm
Mounting plate distance 0 mm
Angle plate 5°

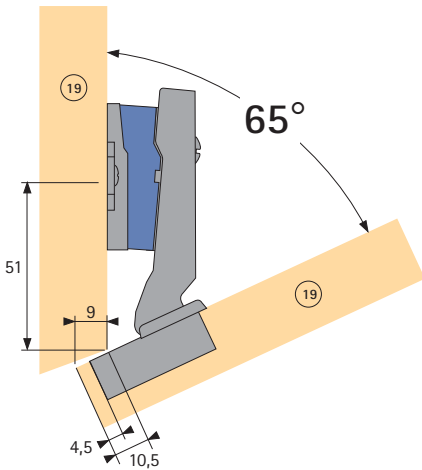
Order no. 0077 643
Order no. 0072 983
Order no. 0079 349



Intermat 9944 W-30

Cranking 12 mm
Mounting plate distance 0 mm

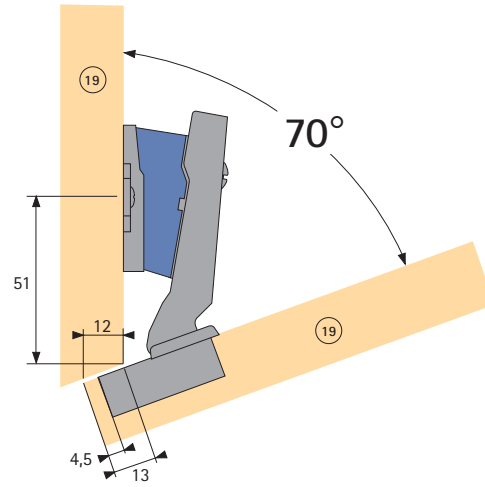
Order no. 0073 936
Order no. 0072 983



Intermat 9944 W-30

Cranking 12 mm
Mounting plate distance 0 mm
Angle adapter 5°

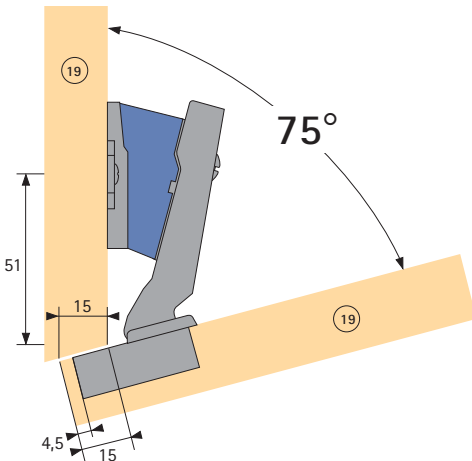
Order no. 0073 936
Order no. 0072 983
Order no. 0043 036



Intermat 9944 W-30

Cranking 12 mm
Mounting plate distance 0 mm
Angle adapter 10°

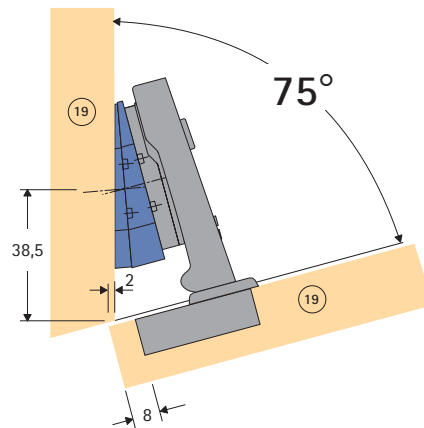
Order no. 0073 936
Order no. 0072 983
Order no. 0043 037



Intermat 9944 W-30

Cranking 12 mm
Mounting plate distance 0 mm
Angle adapter 15°

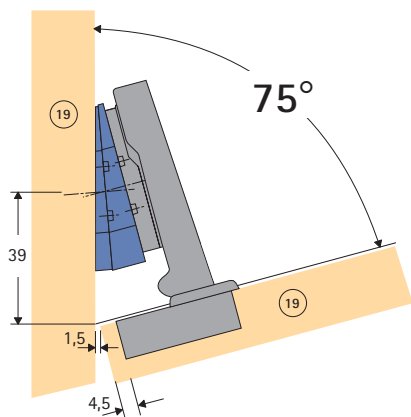
Order no. 0073 936
Order no. 0072 983
Order no. 0043 038



Intermat 9936

Cranking 0 mm
Mounting plate distance 0 mm
Angle plate 10°
Angle plate 5°

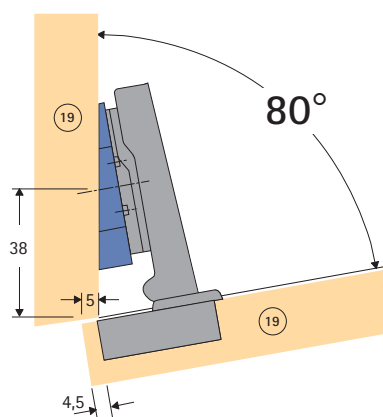
Order no. 0073 913
Order no. 0072 983
Order no. 0079 350
Order no. 0079 349



Intermat 9943

Cranking 0 mm
 Mounting plate distance 0 mm
 Angle plate 10°
 Angle plate 5°

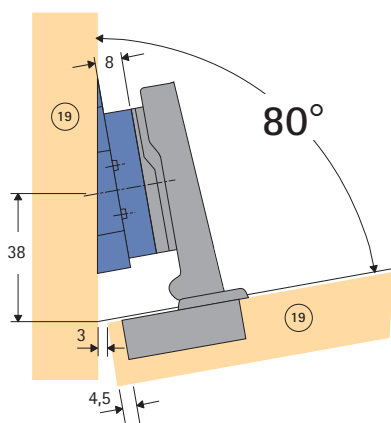
Order no. 0 048 049
Order no. 0 072 983
Order no. 0 079 350
Order no. 0 079 349



Intermat 9943

Cranking 0 mm
 Mounting plate distance 0 mm
 Angle plate 10°

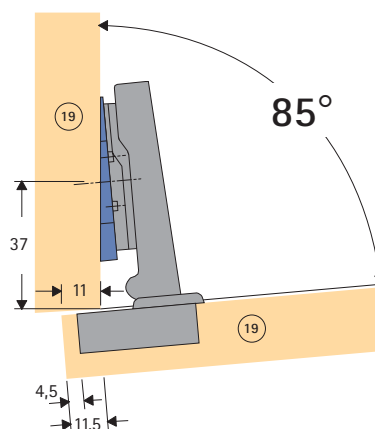
Order no. 0 048 049
Order no. 0 072 983
Order no. 0 079 350



Intermat 9943

Cranking 0 mm
 Mounting plate distance 8 mm
 Angle plate 10°

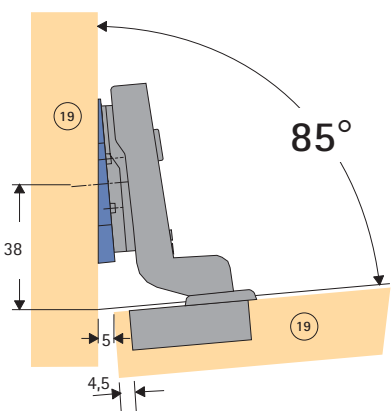
Order no. 0 048 049
Order no. 0 072 987
Order no. 0 079 350



Intermat 9943

Cranking 0 mm
 Mounting plate distance 0 mm
 Angle plate 5°

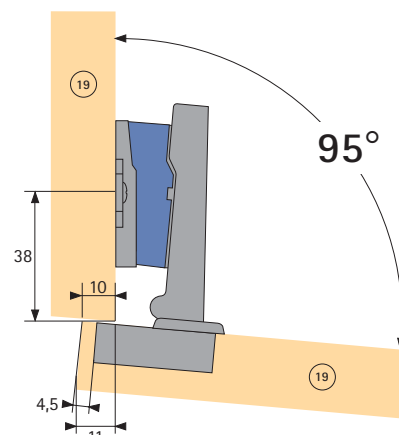
Order no. 0 048 049
Order no. 0 072 983
Order no. 0 079 349



Intermat 9943

Cranking 16 mm
 Mounting plate distance 0 mm
 Angle plate 5°

Order no. 0 048 052
Order no. 0 072 983
Order no. 0 079 349

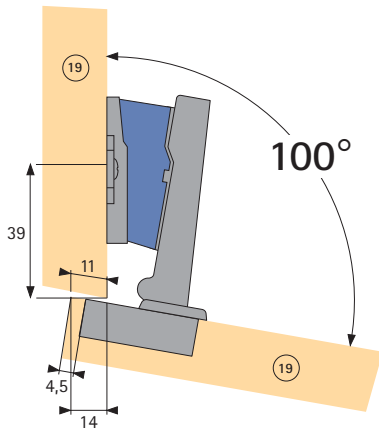


Intermat 9943

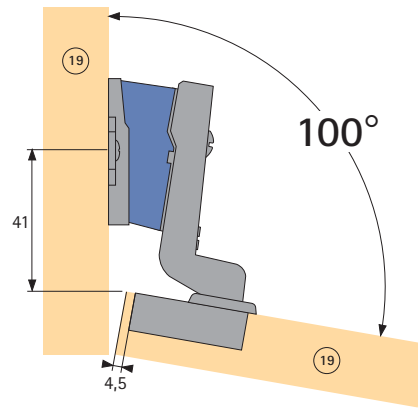
Cranking 0 mm
 Mounting plate distance 0 mm
 Angle adapter 5°

Order no. 0 048 049
Order no. 0 072 983
Order no. 0 043 036

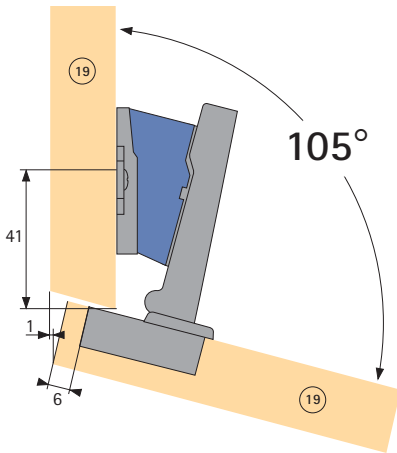
Mounting configurations Intermat



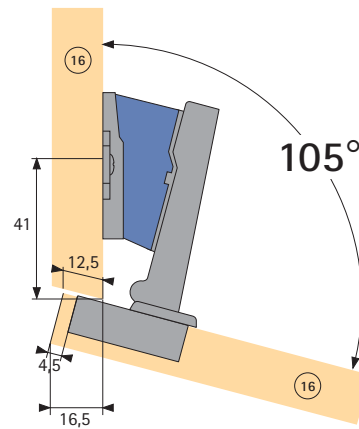
Intermat 9943
 Cranking 0 mm
 Mounting plate distance 0 mm
 Angle adapter 10°
Order no. 0 048 049
Order no. 0 072 983
Order no. 0 043 037



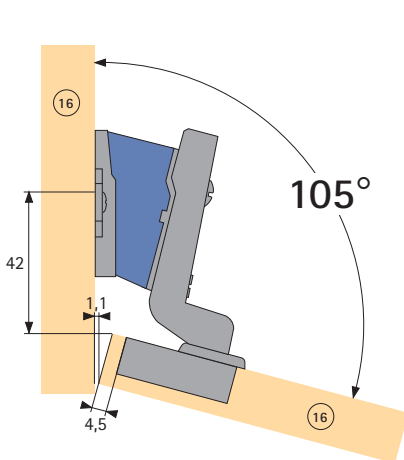
Intermat 9943
 Cranking 16 mm
 Mounting plate distance 0 mm
 Angle adapter 10°
Order no. 0 048 052
Order no. 0 072 983
Order no. 0 043 037



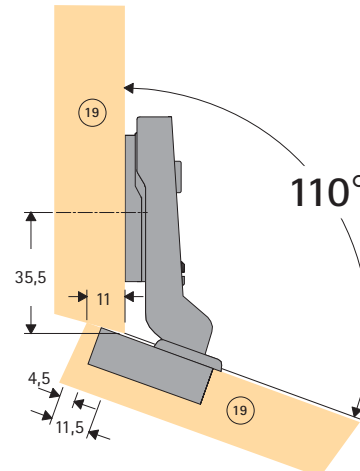
Intermat 9943
 Cranking 0 mm
 Mounting plate distance 0 mm
 Angle adapter 15°
Order no. 0 048 049
Order no. 0 072 983
Order no. 0 043 038



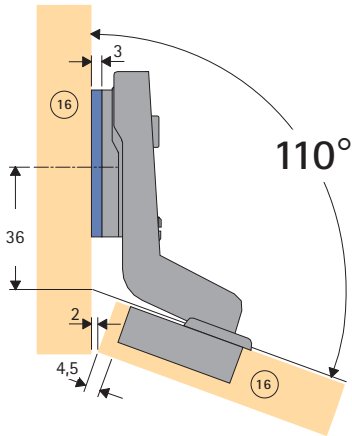
Intermat 9943
 Cranking 0 mm
 Mounting plate distance 0 mm
 Angle adapter 15°
Order no. 0 048 049
Order no. 0 072 983
Order no. 0 043 038



Intermat 9943
 Cranking 16 mm
 Mounting plate distance 3 mm
 Angle adapter 15°
Order no. 0 048 052
Order no. 0 072 985
Order no. 0 043 038



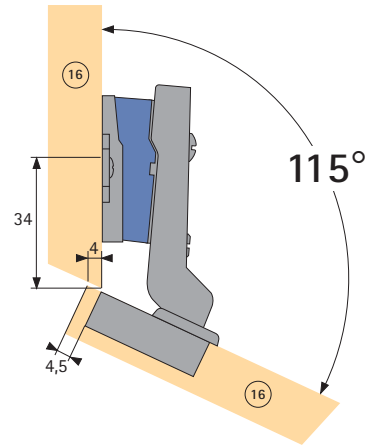
Intermat 9936 W20
 Cranking 7 mm
 Mounting plate distance 0 mm
Order no. 0 077 644
Order no. 0 072 983



Intermat 9936 W20

Cranking - 9 mm
Mounting plate distance 3 mm

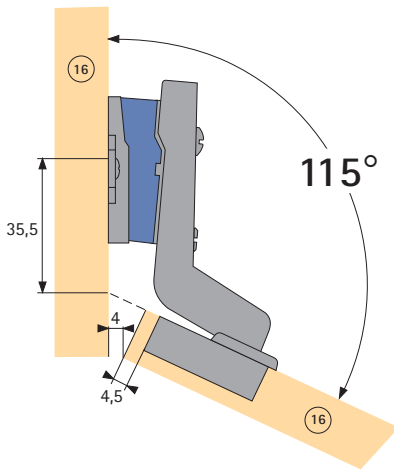
Order no. 0 077 645
Order no. 0 072 985



Intermat 9936 W20

Cranking 7 mm
Mounting plate distance 0 mm
Angle adapter 5°

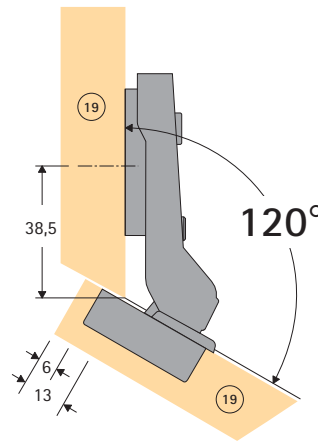
Order no. 0 077 644
Order no. 0 072 983
Order no. 0 043 036



Intermat 9936 W20

Cranking - 9 mm
Mounting plate distance 0 mm
Angle adapter 5°

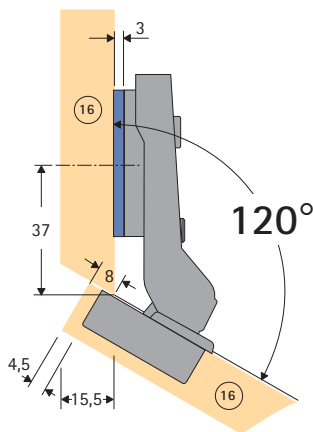
Order no. 0 077 645
Order no. 0 072 983
Order no. 0 043 036



Intermat 9936 W30

Cranking 7 mm
Mounting plate distance 0 mm

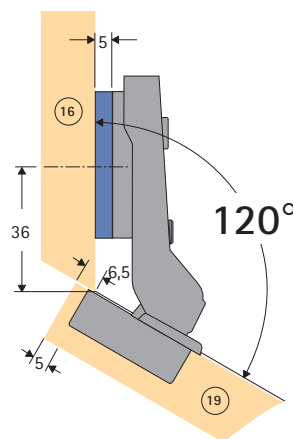
Order no. 0 077 690
Order no. 0 072 983



Intermat 9936 W30

Cranking 7 mm
Mounting plate distance 3 mm

Order no. 0 077 690
Order no. 0 072 985

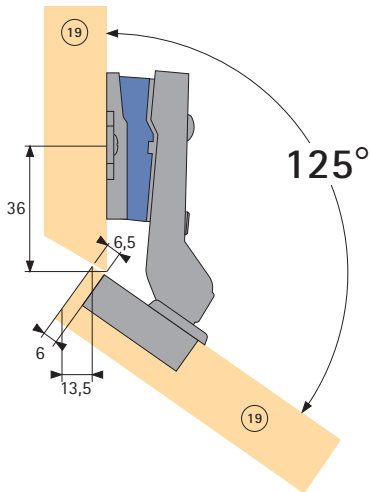


Intermat 9936 W30

Cranking 7 mm
Mounting plate distance 5 mm

Order no. 0 077 690
Order no. 0 072 986

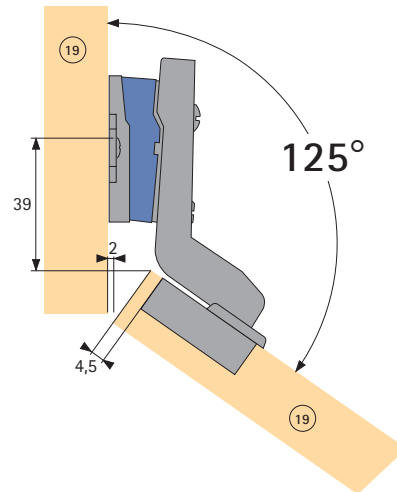
Mounting configurations Intermat



Intermat 9936 W30

Cranking 7 mm
Mounting plate distance 0 mm
Angle adapter 5°

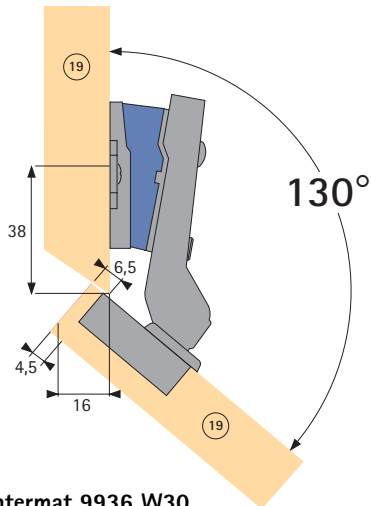
Order no. 0 077 690
Order no. 0 072 983
Order no. 0 043 036



Intermat 9936 W30

Cranking - 10 mm
Mounting plate distance 0 mm
Angle adapter 5°

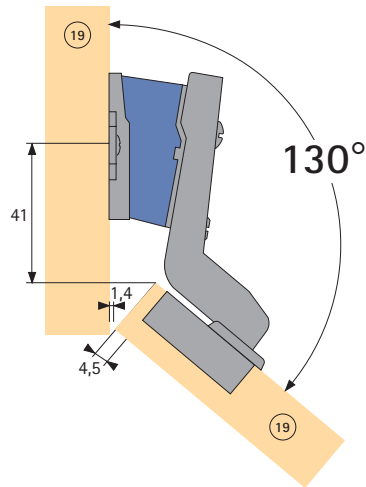
Order no. 0 073 928
Order no. 0 072 983
Order no. 0 043 036



Intermat 9936 W30

Cranking 7 mm
Mounting plate distance 0 mm
Angle adapter 10°

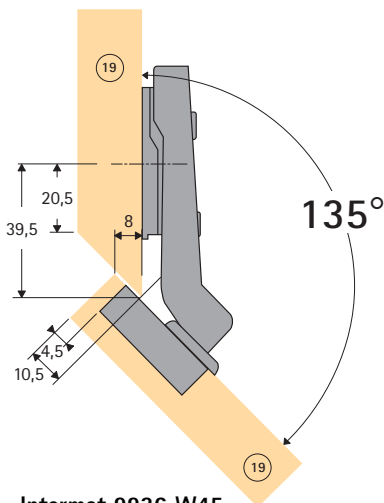
Order no. 0 077 690
Order no. 0 072 983
Order no. 0 043 037



Intermat 9936 W30

Cranking - 10 mm
Mounting plate distance 1,5 mm
Angle adapter 10°

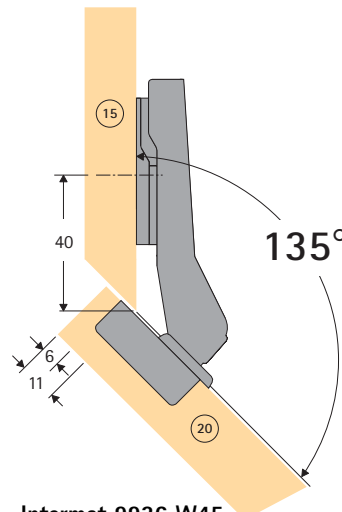
Order no. 0 073 928
Order no. 0 072 984
Order no. 0 043 037



Intermat 9936 W45

Cranking 6 mm
Mounting plate distance 0 mm

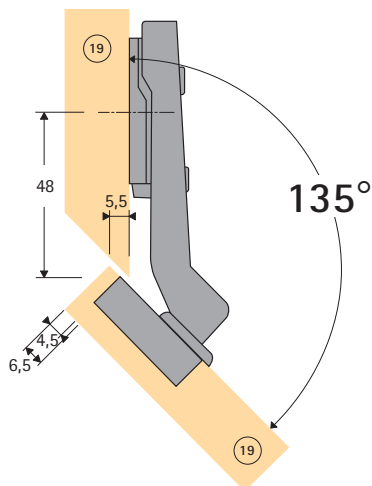
Order no. 0 077 699
Order no. 0 072 983



Intermat 9936 W45

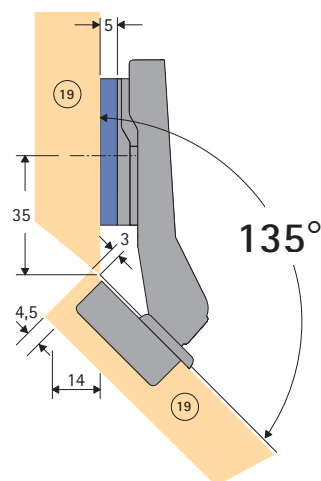
Cranking 6 mm
Mounting plate distance 0 mm

Order no. 0 077 699
Order no. 0 072 983



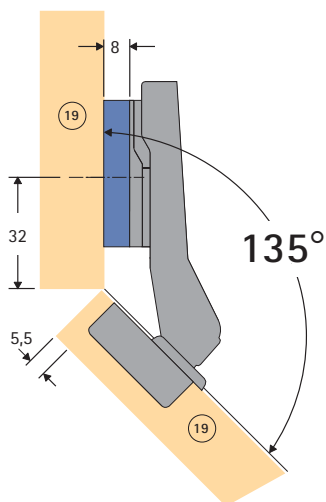
Intermat 9936 W45
 Cranking 0 mm
 Mounting plate distance 0 mm

Order no. 0 048 096
Order no. 0 072 983



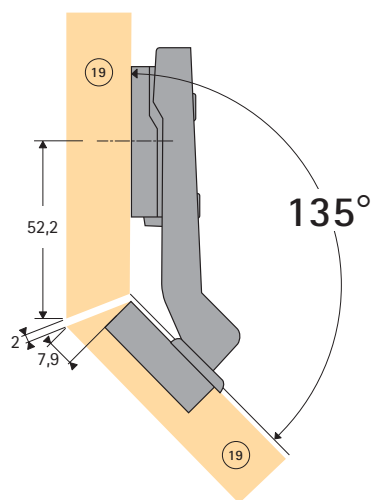
Intermat 9936 W45
 Cranking 6 mm
 Mounting plate distance 5 mm

Order no. 0 077 699
Order no. 0 072 986



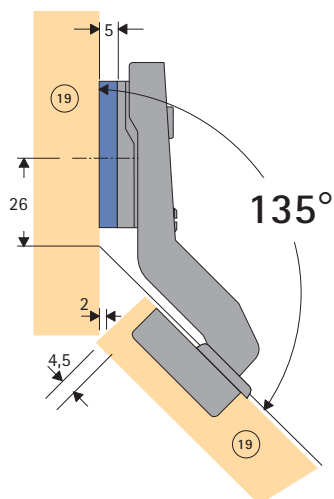
Intermat 9936 W45
 Cranking 6 mm
 Mounting plate distance 8 mm

Order no. 0 077 699
Order no. 0 072 987



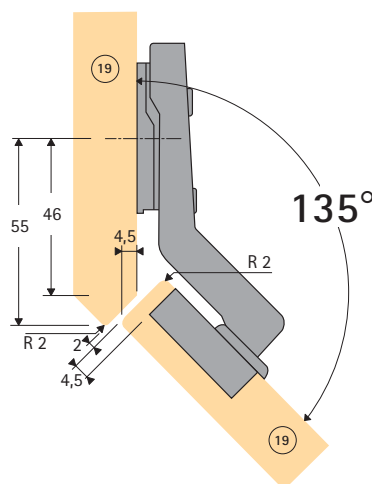
Intermat 9936 W45
 Cranking 0 mm
 Mounting plate distance 3 mm

Order no. 0 048 096
Order no. 0 072 985



Intermat 9936 W45
 Cranking - 17 mm
 Mounting plate distance 5 mm

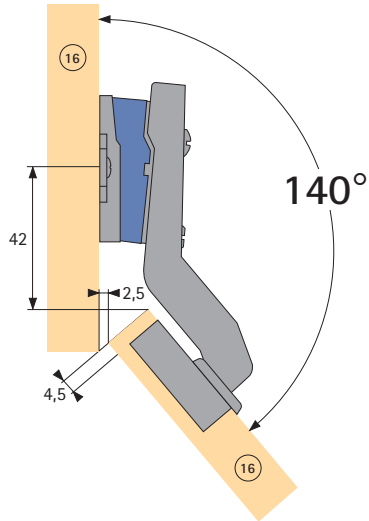
Order no. 0 073 932
Order no. 0 072 986



Intermat 9936 W45
 Cranking - 17 mm
 Mounting plate distance 0 mm

Order no. 0 073 932
Order no. 0 072 983

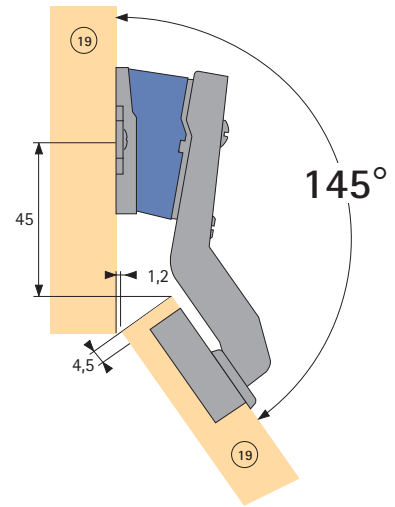
Mounting configurations Intermat



Intermat 9936 W45

Cranking - 17 mm
Mounting plate distance 0 mm
Angle adapter 5°

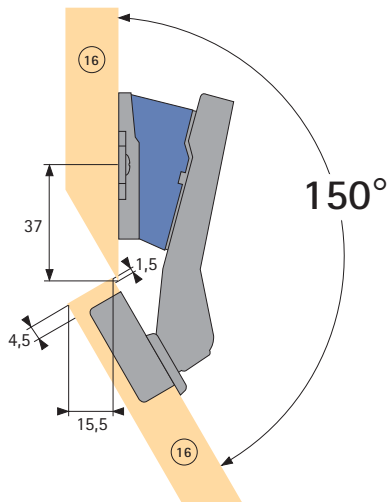
Order no. 0073 932
Order no. 0072 983
Order no. 0043 036



Intermat 9936 W45

Cranking - 17 mm
Mounting plate distance 1,5 mm
Angle adapter 10°

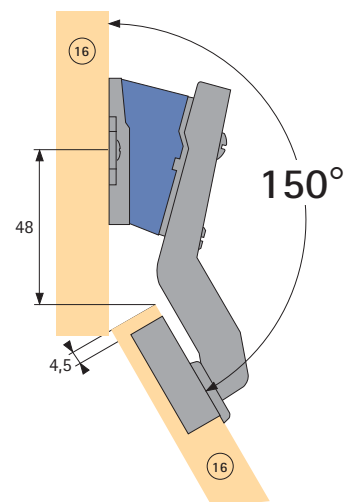
Order no. 0073 932
Order no. 0072 984
Order no. 0043 037



Intermat 9936 W45

Cranking 6 mm
Mounting plate distance 0 mm
Angle adapter 15°

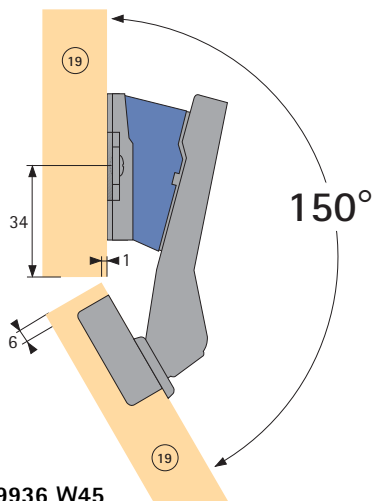
Order no. 0077 699
Order no. 0072 983
Order no. 0043 038



Intermat 9936 W45

Cranking - 17 mm
Mounting plate distance 3 mm
Angle adapter 15°

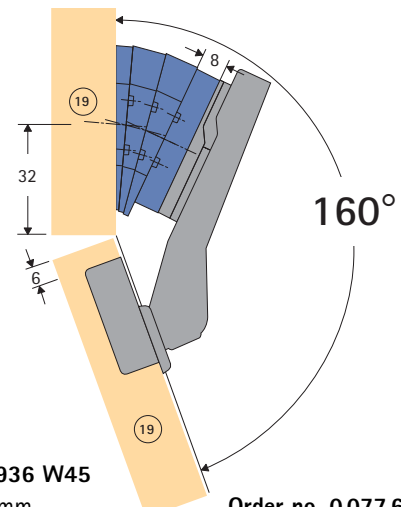
Order no. 0073 932
Order no. 0072 985
Order no. 0043 038



Intermat 9936 W45

Cranking 6 mm
Mounting plate distance 1,5 mm
Angle adapter 15°

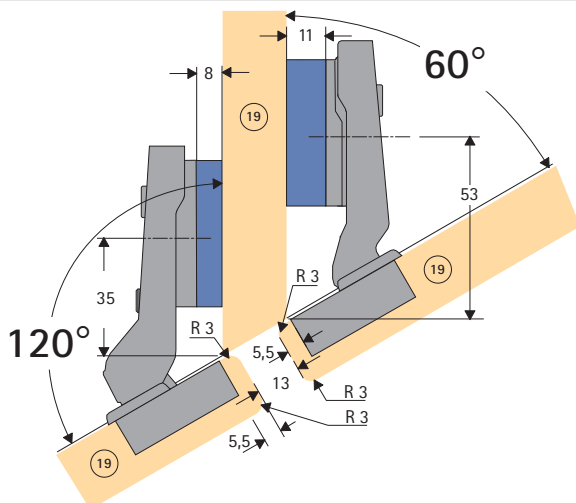
Order no. 0077 699
Order no. 0072 984
Order no. 0043 038



Intermat 9936 W45

Cranking 6 mm
Mounting plate distance 8 mm
2 x Angle plate 10°
1 x Angle plate 5°

Order no. 0077 699
Order no. 0072 987
Order no. 0079 350
Order no. 0079 349

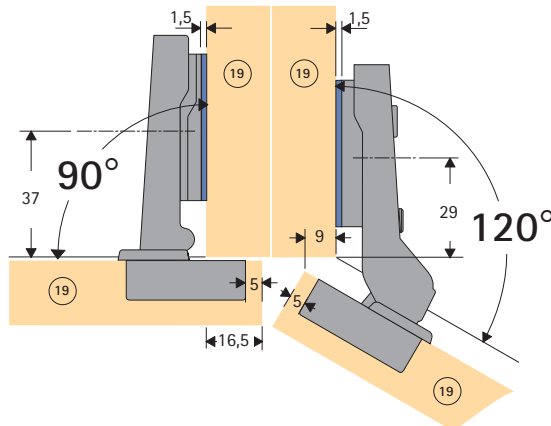


Intermat 9936 W30

Cranking 7 mm **Order no. 0 077 690**
 Mounting plate distance 8 mm **Order no. 0 072 987**

Intermat 9944 W-30

Cranking 12 mm **Order no. 0 073 936**
 Mounting plate distance 11 mm **Order no. 0 077 946**

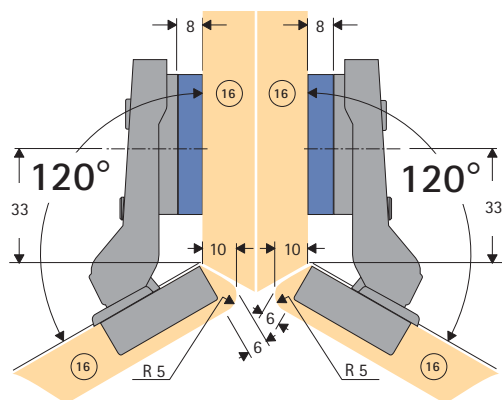


Intermat 9943

Cranking 0 mm **Order no. 0 048 049**
 Mounting plate distance 1,5 mm **Order no. 0 072 984**

Intermat 9936 W30

Cranking 7 mm **Order no. 0 077 690**
 Mounting plate distance 1,5 mm **Order no. 0 072 984**

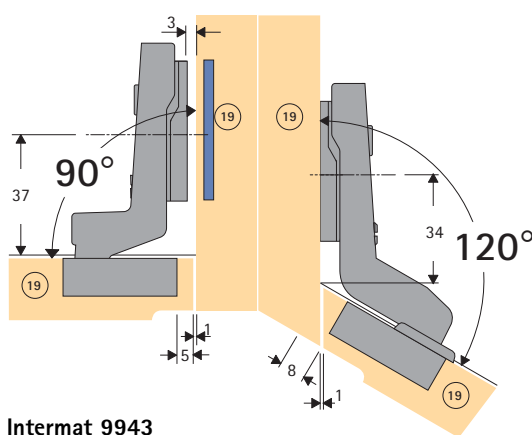


Intermat 9936 W30

Cranking 7 mm **Order no. 0 077 690**
 Mounting plate distance 8 mm **Order no. 0 072 987**

Intermat 9936 W30

Cranking 7 mm **Order no. 0 077 690**
 Mounting plate distance 8 mm **Order no. 0 072 987**

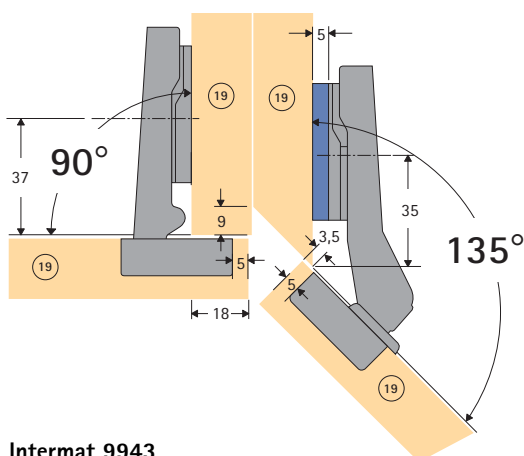


Intermat 9943

Cranking 16 mm **Order no. 0 048 052**
 Mounting plate distance 3 mm **Order no. 0 072 985**

Intermat 9936 W30

Cranking - 10 mm **Order no. 0 073 928**
 Mounting plate distance 0 mm **Order no. 0 072 983**

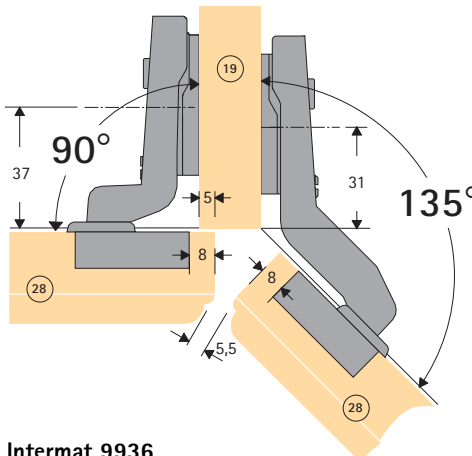


Intermat 9943

Cranking 0 mm **Order no. 0 048 049**
 Mounting plate distance 0 mm **Order no. 0 072 983**

Intermat 9936 W45

Cranking 6 mm **Order no. 0 077 699**
 Mounting plate distance 5 mm **Order no. 0 072 986**



Intermat 9936

Cranking 16 mm **Order no. 0 073 921**
 Mounting plate distance 0 mm **Order no. 0 072 983**

Intermat 9936 W45

Cranking - 17 mm **Order no. 0 073 932**
 Mounting plate distance 0 mm **Order no. 0 072 983**